

8830-000

SABRE Module Quickstart Guide

Contents

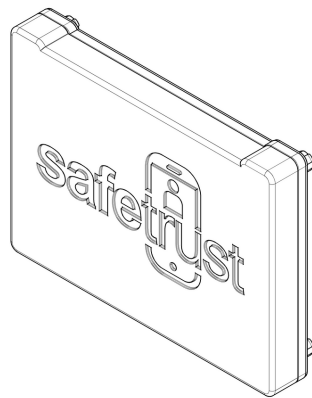
In the box	01
What you'll need	02
Installation	03
Configuration	04
Regulatory	05
Support	06



01

In the box





SABRE Module

The SABRE Module is a plug-in installation meaning there is no rewiring necessary.



02

What you'll need



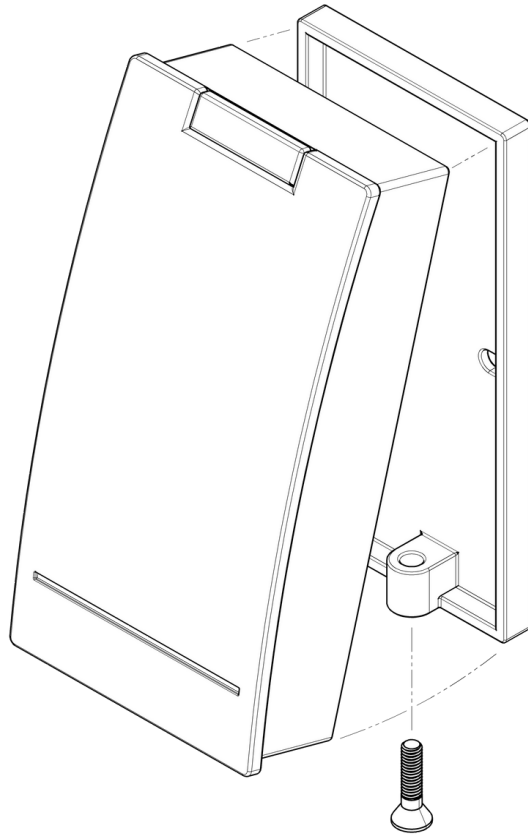
- A few minutes of your time
- Phillips head screw driver to remove security screw from the base of the reader



03

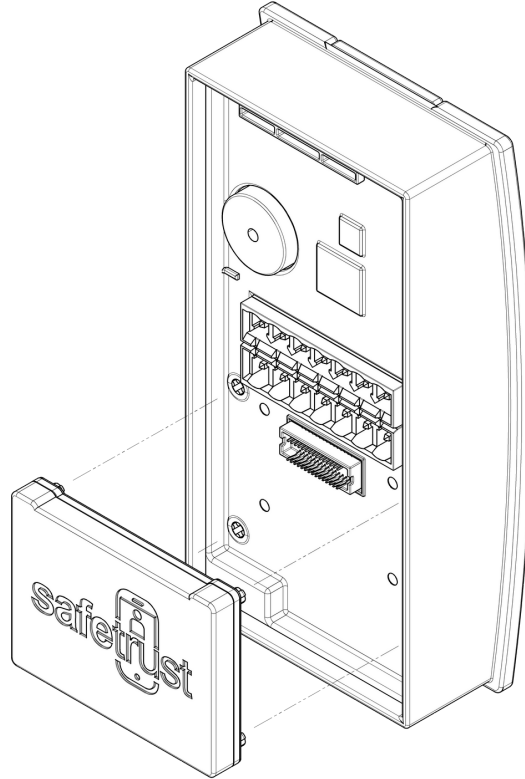
Installation





Remove the mounting screw and pull the reader in an 'out and upward' motion to remove it from the wall mount bracket.

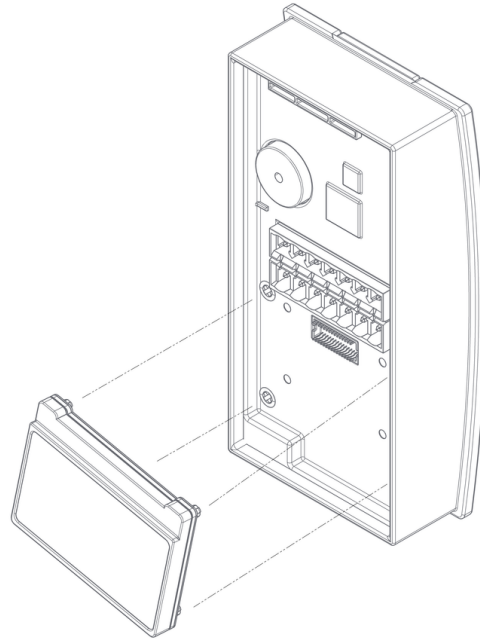
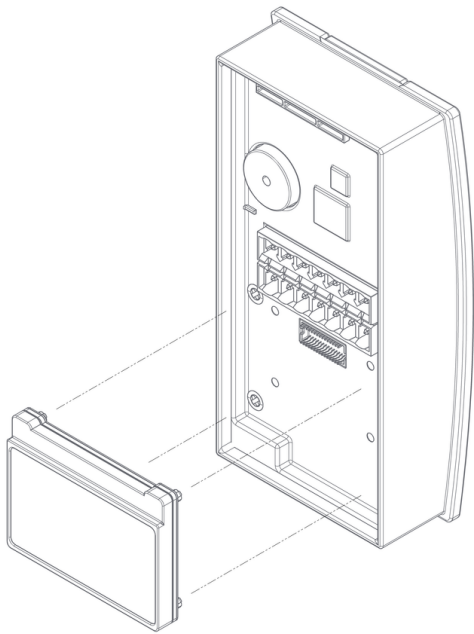




Position the SABRE MODULE onto the reader's connector and press firmly to make a solid connection. The reader's connector is below the wiring — pictured above as a terminal strip however the wiring may alternatively be pigtail.

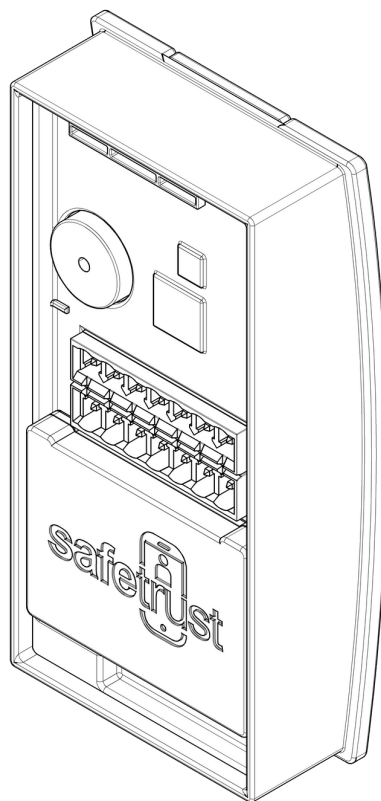
Note: There may be a piece of black tape covering the reader's connector. Please remove the tape before installing the SABRE Module.





IMPORTANT! Installing the SABRE Module incorrectly will cause the PINS in the back of the Module to bend, rendering it as damaged. Please ensure that you position the Module perfectly level to prevent any accidental damage to the device.





Once a firm connection is made between the MODULE and the connector, the MODULE will receive power and will be operational within 5 seconds.

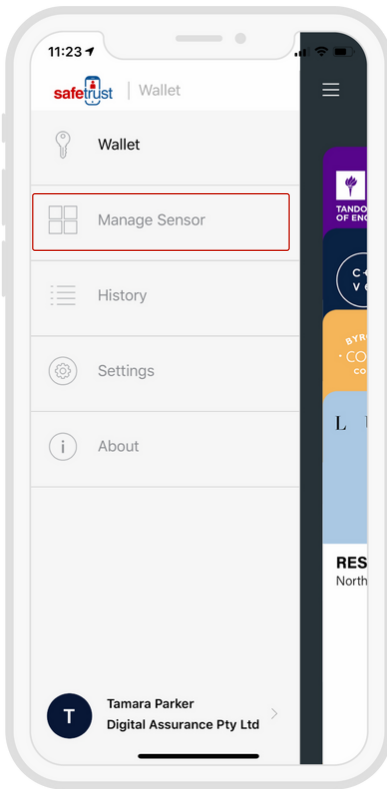
Note: Install of the SABRE Module will generate a reboot of the HID Reader and the SABRE Module. You will notice a series of beeps, from the HID Reader when the SABRE module reboots.



04

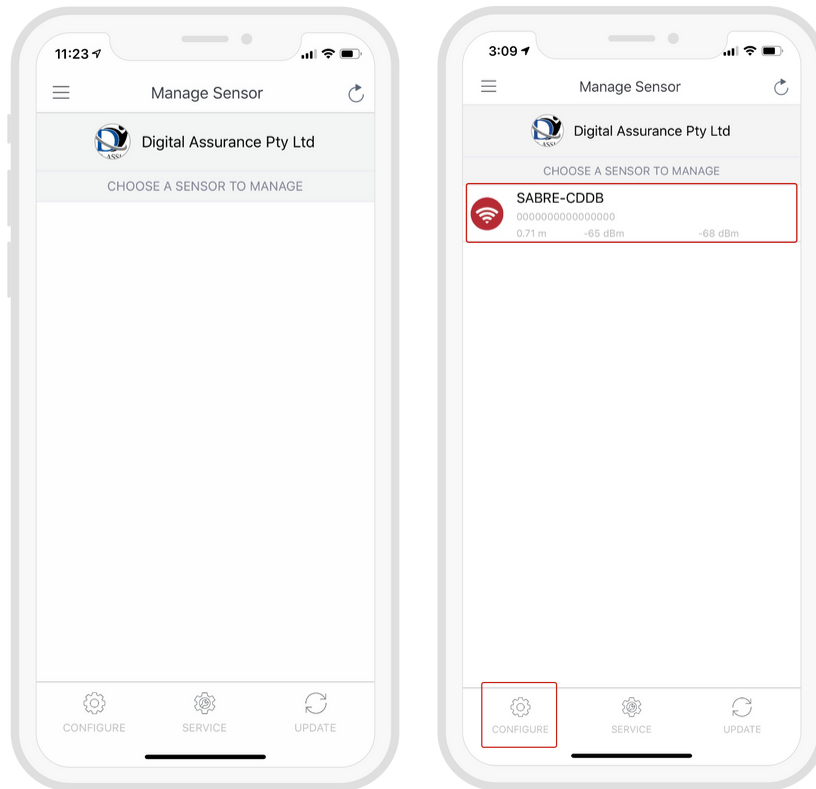
Configuration





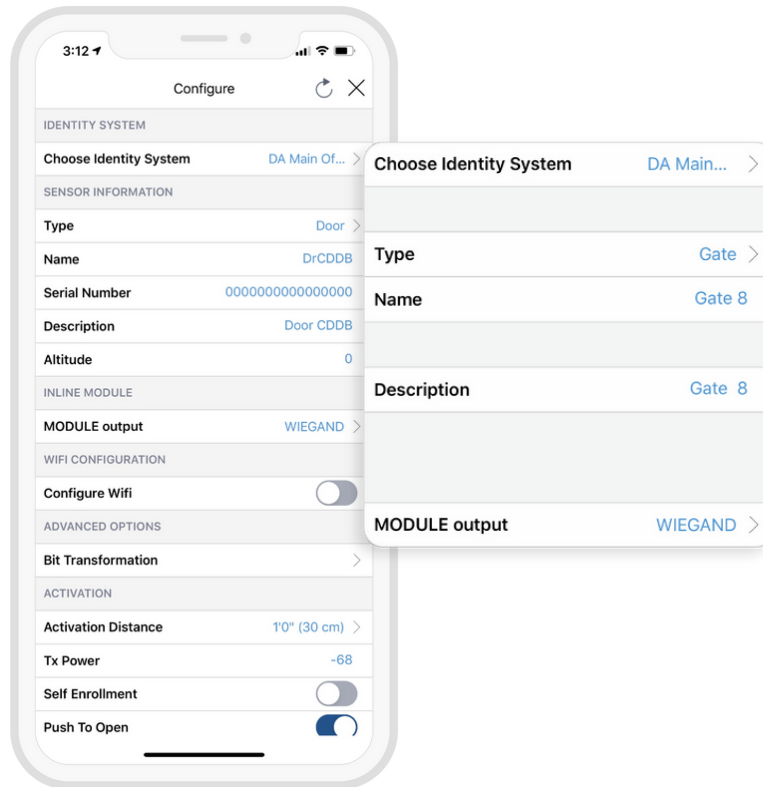
Open the Safetrust Wallet APP and select Manage Sensor tab. Make sure your system admin has set you up with this role.





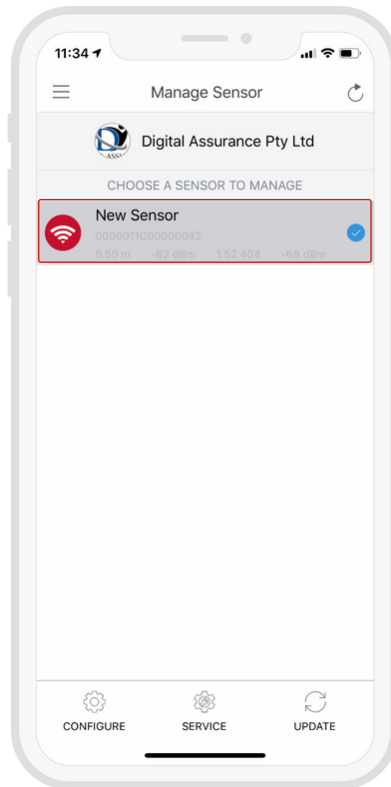
With the Admin Installer tab open from the App, bring the phone in range of the SABRE Module and once visible from the App, highlight and select “Configure”.





- Choose an Identity System.
- Specify the Type of access from the dropdown (eg. Door, Gate etc.)
- Assign a short Name and Description using alphanumeric characters.
- Choose an Output for the sensor (the default is set to Wiegand).





When the Module information is saved successfully to Credential Manager and assigned to the Identity System, the new description will appear in the Manage Sensor tab with a unique serial number assigned.



05

Regulatory Information



FCC: This device complies with part 15 of the FCC Rules. Operation is subject to the following two conditions: (1) This device may not cause harmful interference, and (2) this device must accept any interference received, including interference that may cause undesired operation.

Canada Radio Certification: This device complies with Industry Canada license-exempt RSS standard(s). Operation is subject to the following two conditions: (1) this device may not cause interference, and (2) this device must accept any interference, including interference that may cause undesired operation of the device.

Le présent appareil est conforme aux CNR d'Industrie Canada applicables aux appareils radio exempts de licence. L'exploitation est autorisée aux deux conditions suivantes : (1) l'appareil ne doit pas produire de brouillage, et (2) l'utilisateur de l'appareil doit accepter tout brouillage radioélectrique subi, même si le brouillage est susceptible d'en compromettre le fonctionnement.

CE Marking: Safetrust hereby declares that these proximity readers are in compliance with the essential requirements and other relevant provisions of Directive 1999/5/EC.



06

Support

Thank you for purchasing the Safetrust SABRE Module.

If for any reason you need assistance with your installation, please contact your local Sales representative .

Sincerely -
The Safetrust Team



www.safetrust.com/support